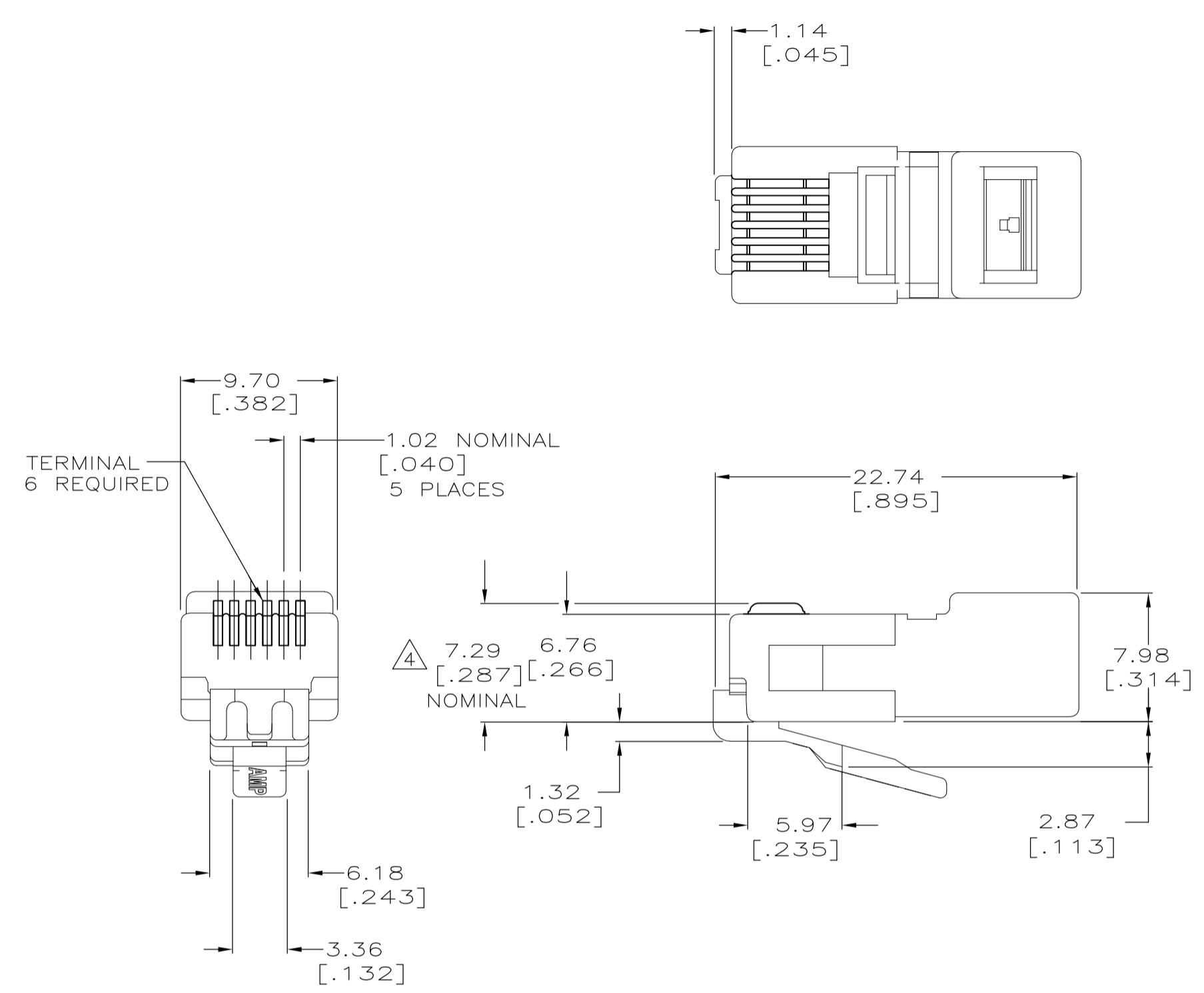
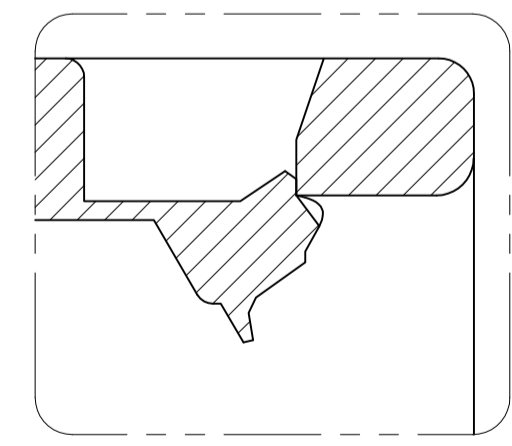
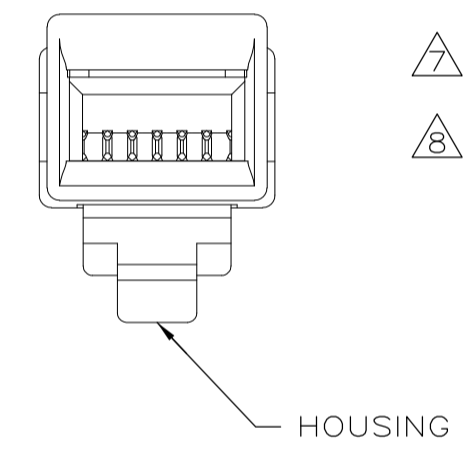


LOC		DIST		REVISIONS			
P	LTR	DESCRIPTION	DATE	DWN	APVD		
J		REV ECO-08-020668	27AUG08	GG	BM		



- 1 MATERIAL: HOUSING—POLYCARBONATE, CLEAR  
 TERMINAL— .014 THICK PHOSPHOR BRONZE, PLATED WITH 1.27 $\mu$ m [.000050] MINIMUM THICK GOLD IN LOCALIZED GOLD PLATE AREA, GOLD FLASH OVER THE REMAINDER, OVER 2.54 $\mu$ m [.000100] MINIMUM THICK NICKEL UNDERPLATE.
- 2. ALL DIMENSIONS SHOWN ARE MAXIMUM UNLESS OTHERWISE SPECIFIED.
- 3. PLUG WILL ACCEPT 0.737[.029] – 0.99[.039] DIAMETER STRANDED WIRE, 26 OR 28 AWG WITH A 2.29 [.090] X 6.60 [.260] JACKET.
- 4 TERMINATED DIMENSION 6.15 [.242] MAXIMUM.
- 5 LATCH SHALL BE IN POSITION SHOWN IN DETAIL A AFTER CRIMPING.
- 7 500 ASSEMBLIES PER PACKAGE.
- 8 100 ASSEMBLIES PER PACKAGE.



DETAIL A  
 SCALE 10:1

8	5-555176-3
7	5-555176-2
PACKAGED	PART NO

THIS DRAWING IS A CONTROLLED DOCUMENT.		DWN L. HALL 12DEC2007	Tyco Electronics Corporation Harrisburg, PA 17105-3608	
DIMENSIONS: mm [INCHES]		CHK B. MCNEILL 13DEC2007	NAME	
TOLERANCES UNLESS OTHERWISE SPECIFIED:		APVD B. MCNEILL 13DEC2007	PRODUCT SPEC	
0 PLC ± -		APPLICATION SPEC		
1 PLC ± -		WEIGHT		
2 PLC ± -		SIZE CAGE CODE DRAWING NO RESTRICTED TO		
3 PLC ± -		A2 00779 555176		
4 PLC ± -		CUSTOMER DRAWING SCALE 4:1 SHEET 1 OF 1 REV J		
ANGLES ± -				
MATERIAL 1	FINISH 1			